

Bottom Cable Outlet PK86X-DD UHP Switch Pressure Transmitter

Application Scenarios



Semiconductor



High/Ultrahigh-Purity
Special Gases



Gas Distribution System



Product Features

Sealing	Testing	Packaging	Treatment
Semi-grade W-Seal	100% Helium Leak Testing	Vacuum Packag- ing in Class 100 Cleanroom	Process connec- tion EP level: $Ra \leq 0.18 \mu m$

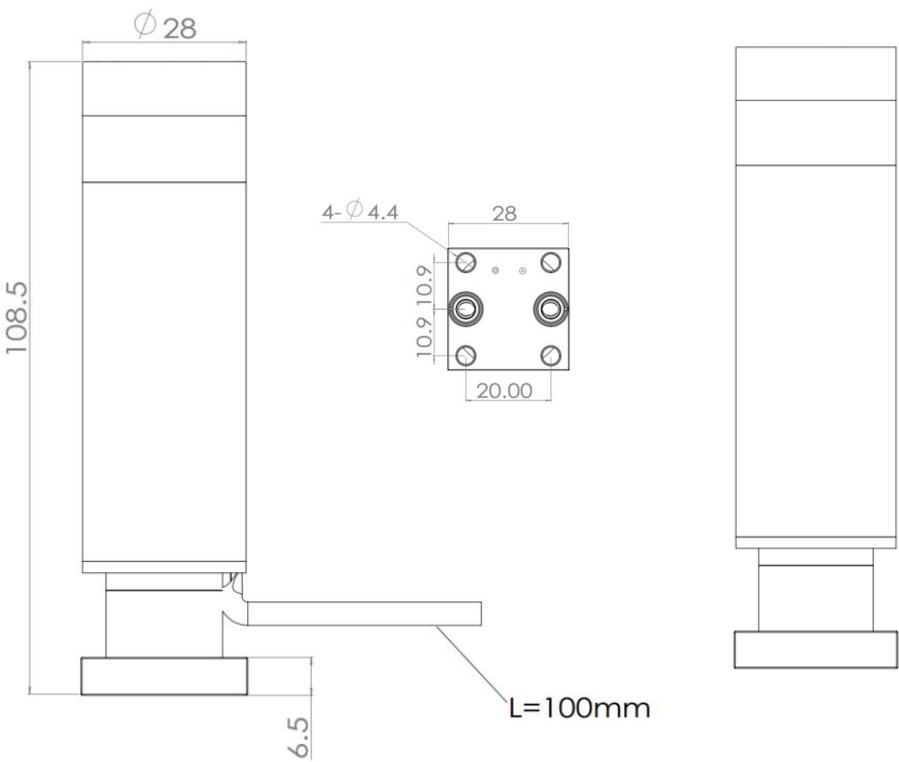
Product Description

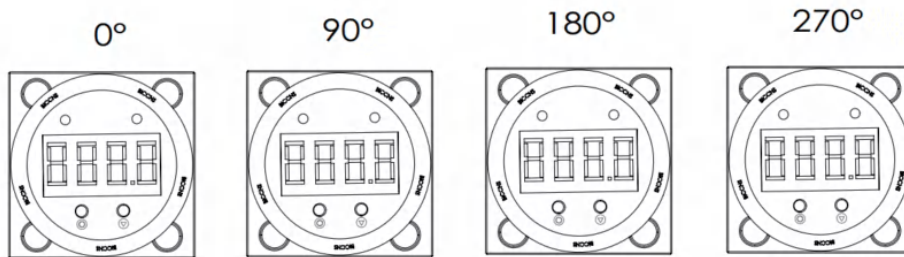
- This product features an integrated, all-metal welded construction and can be equipped with semiconductor-grade pressure fittings. The wetted surfaces undergo 100% specialized EP treatment and are degreased and oil-free cleaned, fully meeting the requirements of semiconductor, flat panel display, high-purity/ultrapure environments, and specialty gas pipelines.
- The pressure range covers 0–100 psiA, with customizable ranges available to meet specific customer requirements.
- Each unit undergoes 100% leak testing to comply with industry sealing standards, preventing the risk of leakage of flammable, explosive, corrosive, or toxic media.
- Manufacturing is carried out entirely in a Class 100 cleanroom, with 100% cleaning and vacuum packaging, ensuring compliance with SEMI standards.

Technical Specifications

Application Scenarios	For Semiconductor Process Gases
Measurement Range	0.....100psiA
Accuracy	±0.5%FS ±1digit
Over Pressure	Max: the rated pressure × 3
Medium Temperature	-40.....125°C
Ambient Temperature	-20.....85°C
Temp Coefficient(-20~85°C)	<0.025%FS/°C ±1digit
Supply Voltage	DC24V ±10%
Output Signal	0-5V
Switching Point	NPN * 2
Display	LED Display, Display Rotatable up to 270°
Cable Outlet	Bottom Cable Outlet D-SUB 15PIN(Male)
Connection Material	316L VIM/VAR
Diaphragm Material	Hastelloy (C-22)
Stability Performance	Typical: 0.25%FS/Year
Leak Rate	≤1X10 ⁻¹⁰ Pa.m ³ /s
Packaging	Double-layer vacuum packaging, compliant with SEMI E49.6

Specifications and Dimensions (Unit: mm)





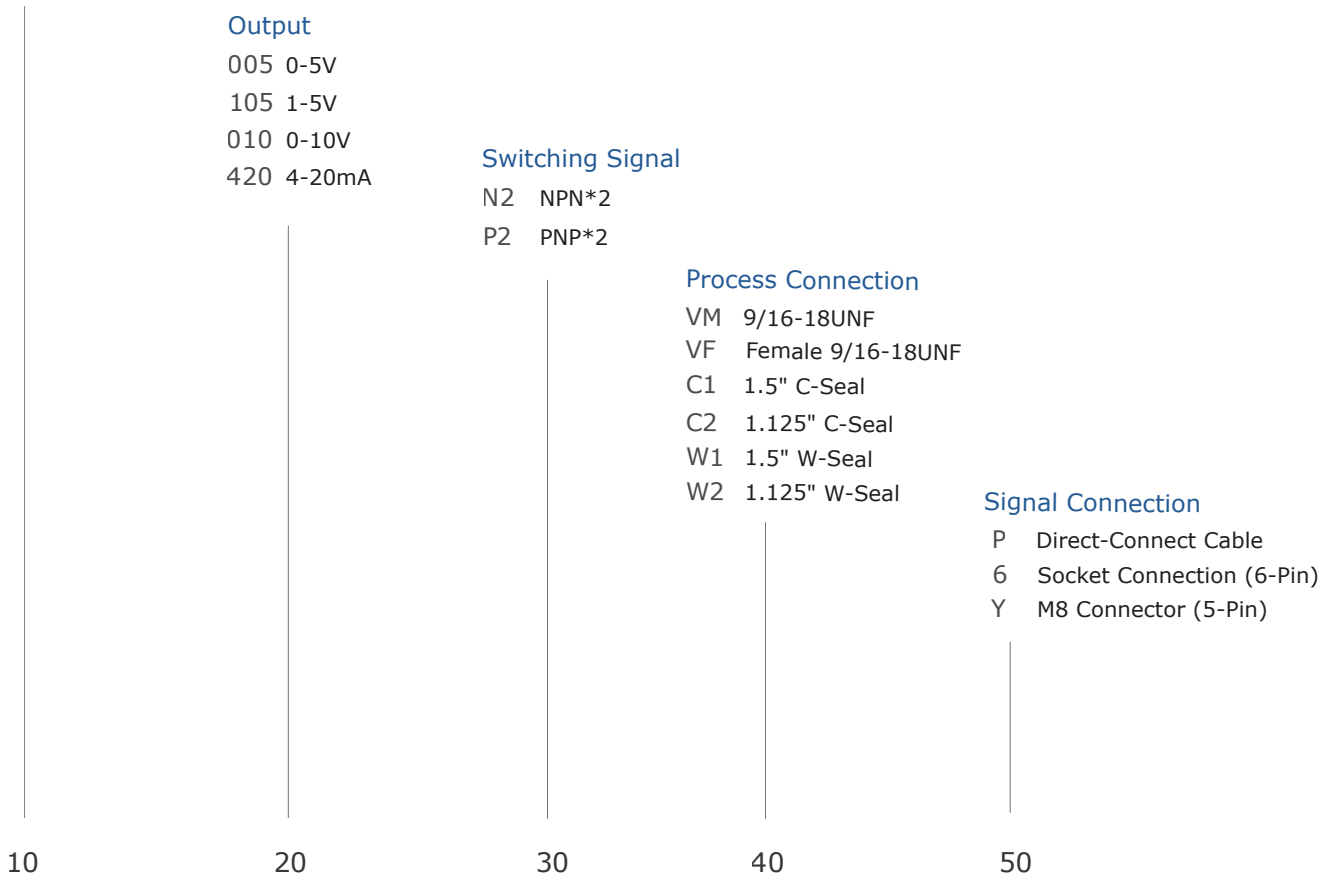
Range Code Table					
Code	Negative Range (kPa)	Code	Gauge Range (kPa)	Code	Absolute Range (kPa)
BG200K	(-100 ~ 200)	G200K	(0 ~ 200)	A200K	(0 ~ 200)
BG300K	(-100 ~ 300)	G300K	(0 ~ 300)	A300K	(0 ~ 300)
BG500K	(-100 ~ 500)	G500K	(0 ~ 500)	A500K	(0 ~ 500)
BG700K	(-100 ~ 700)	G700K	(0 ~ 700)	A700K	(0 ~ 700)
BG1000K	(-100 ~ 1000)	G1000K	(0 ~ 1000)	A1000K	(0 ~ 1000)
Code	Negative Range (MPa)	Code	Gauge Range (MPa)	Code	Absolute Range (MPa)
BG02M	(-0.1 ~ 0.2)	G02M	(0 ~ 0.2)	A02M	(0 ~ 0.2)
BG03M	(-0.1 ~ 0.3)	G03M	(0 ~ 0.3)	A03M	(0 ~ 0.3)
BG05M	(-0.1 ~ 0.5)	G05M	(0 ~ 0.5)	A05M	(0 ~ 0.5)
BG07M	(-0.1 ~ 0.7)	G07M	(0 ~ 0.7)	A07M	(0 ~ 0.7)
BG1M	(-0.1 ~ 1)	G1M	(0 ~ 1)	A1M	(0 ~ 1)
BG2M	(-0.1 ~ 2)	G2M	(0 ~ 2)	A2M	(0 ~ 2)
BG3.5M	(-0.1 ~ 3.5)	G3.5M	(0 ~ 3.5)	A3.5M	(0 ~ 3.5)
BG5M	(-0.1 ~ 5)	G5M	(0 ~ 5)	A5M	(0 ~ 5)
BG10M	(-0.1 ~ 10)	G10M	(0 ~ 10)	A10M	(0 ~ 10)
BG20M	(-0.1 ~ 20)	G20M	(0 ~ 20)	A20M	(0 ~ 20)
Code	Negative Range (bar)	Code	Gauge Range (bar)	Code	Absolute Range (bar)
BG2B	(-1 ~ 2)	G2B	(0 ~ 2)	A2B	(0 ~ 2)
BG3B	(-1 ~ 3)	G3B	(0 ~ 3)	A3B	(0 ~ 3)
BG5B	(-1 ~ 5)	G5B	(0 ~ 5)	A5B	(0 ~ 5)
BG7B	(-1 ~ 7)	G7B	(0 ~ 7)	A7B	(0 ~ 7)
BG10B	(-1 ~ 10)	G10B	(0 ~ 10)	A10B	(0 ~ 10)
BG20B	(-1 ~ 20)	G20B	(0 ~ 20)	A20B	(0 ~ 20)
BG35B	(-1 ~ 35)	G35B	(0 ~ 35)	A35B	(0 ~ 35)
BG50B	(-1 ~ 50)	G50B	(0 ~ 50)	A50B	(0 ~ 50)
BG100B	(-1 ~ 100)	G100B	(0 ~ 100)	A100B	(0 ~ 100)
BG200B	(-1 ~ 200)	G200B	(0 ~ 200)	A200B	(0 ~ 200)
Code	Negative Range (psi)	Code	Gauge Range (psi)	Code	Absolute Range (psi)
PUM	(-14.7 ~ 30psi)	PUG	(0 ~ 30psi)	PUA	(0 ~ 30psi)
PTM	(-14.7 ~ 60psi)	PTG	(0 ~ 60psi)	PTA	(0 ~ 60psi)
PSM	(-14.7 ~ 100psi)	PSG	(0 ~ 100psi)	PSA	(0 ~ 100psi)
PRM	(-14.7 ~ 160psi)	PRG	(0 ~ 160psi)	PRA	(0 ~ 160psi)
PNM	(-14.7 ~ 250psi)	PNG	(0 ~ 250psi)	PNA	(0 ~ 250psi)
PMM	(-14.7 ~ 350psi)	PMG	(0 ~ 350psi)	PMA	(0 ~ 350psi)
PHM	(-14.7 ~ 500psi)	PHG	(0 ~ 500psi)	PHA	(0 ~ 500psi)
PEM	(-14.7 ~ 750psi)	PEG	(0 ~ 750psi)	PEA	(0 ~ 750psi)
PDM	(-14.7 ~ 1000psi)	PDG	(0 ~ 1000psi)	PDA	(0 ~ 1000psi)
PCM	(-14.7 ~ 1500psi)	PCG	(0 ~ 1500psi)	PCA	(0 ~ 1500psi)
PBM	(-14.7 ~ 2000psi)	PBG	(0 ~ 2000psi)	PBA	(0 ~ 2000psi)
PAM	(-14.7 ~ 3000psi)	PAG	(0 ~ 3000psi)	PAA	(0 ~ 3000psi)
P4M	(-14.7 ~ 4000psi)	P4G	(0 ~ 4000psi)	P4A	(0 ~ 4000psi)
P5M	(-14.7 ~ 5000psi)	P5G	(0 ~ 5000psi)	P5A	(0 ~ 5000psi)
P6M	(-14.7 ~ 6000psi)	P6G	(0 ~ 6000psi)	P6A	(0 ~ 6000psi)

Wiring Connection		
Cable Color	Functions	Remarks
Black	common	Common Terminal
Red	Power Supply	DC24V
White	Analog Output	Signal
Yellow	CNT2	
Green	CNT1	
Shield Wire	Ground	Ground Wire

Range / Pressure Type

___ See Range Code Table

YY Customized



PK86X-DD UHP Switch Pressure Transmitter

Selection Example:

Requirement: Socket Connection (6-Pin), 0-5 V output, 0-100 psi absolute pressure, 1.125" W-Seal

Selected Model: PK86X-DDPSA005N2W26